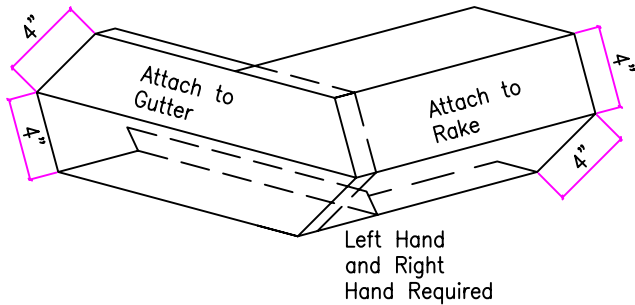
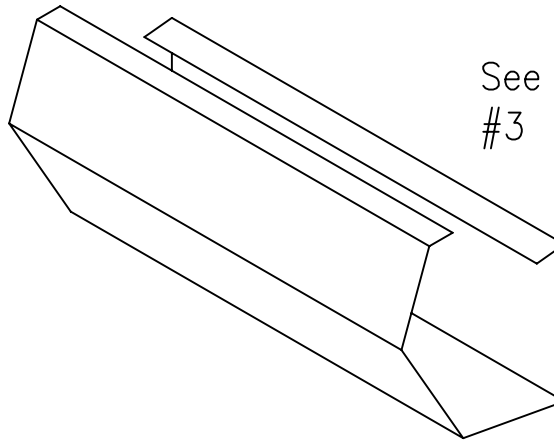


Corner Box See Note #2

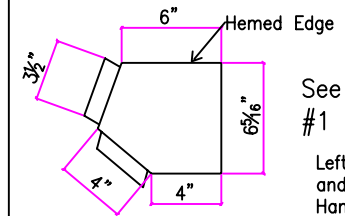


Sculp Gutter



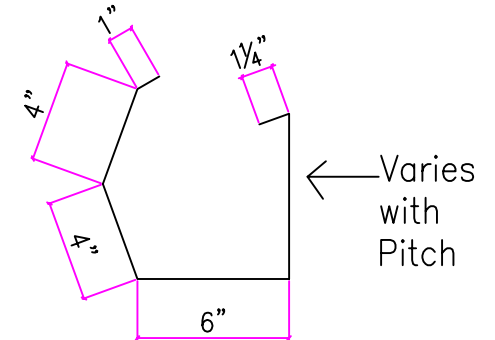
See Note #3

End Cap

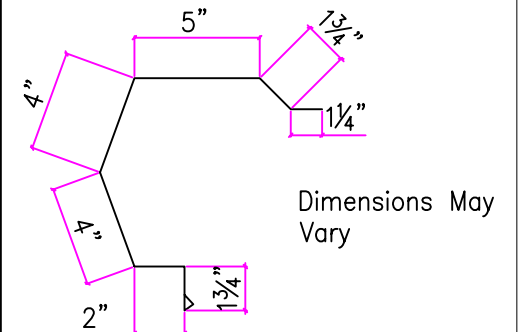


See Note #1
Left Hand and Right Hand Required

End View



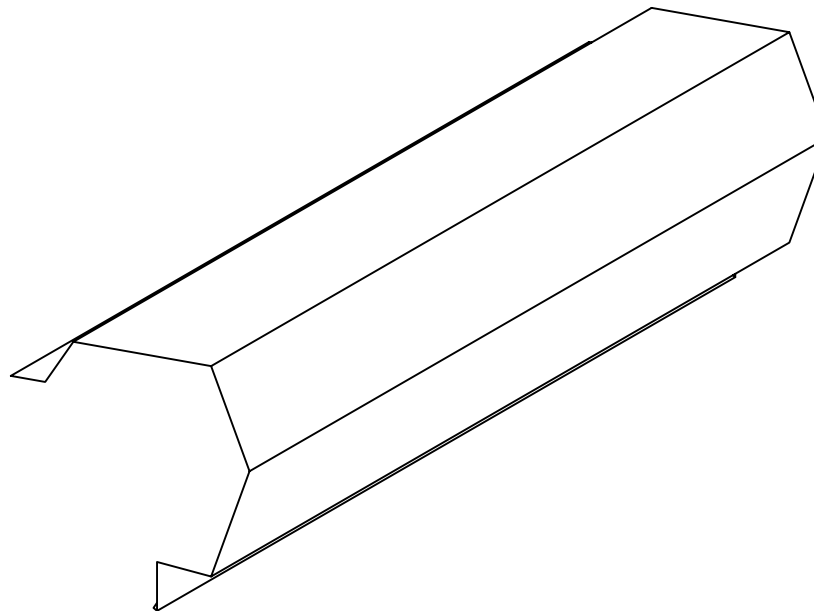
R-Panel End View



Notes:

- 1 Install End Cap on Ground Before Installing Gutter
- 2 Corner Box Comes in 2 Pieces, can be screwed withg drill laps or pop rivets
- 3 Att. Sculp Gutter to Roof Sheet with straps same as Box Gutter (See Reverse Side)

Sculp Rake



INDACO METALS
3 AMERICAN WAY SHAWNEE, OKLA. 74804
PHONE (405) 273-9200 FAX (405) 273-9206

DETAIL OF

SHEET # :

SIZE: _____
FOR: _____
ADDRESS: _____
CITY, STATE: _____
ZIP CODE: _____
OTHER: _____

REV. _____