

Design of a Metal Building System

It is the responsibility of the Manufacturer, through the Manufacturer's Engineer, to design the Metal Building System to meet the specifications including the design criteria and design loads incorporated by the Builder into the Order Documents. The Manufacturer is not responsible for making an independent determination of any local codes or any other requirements not part of the Order Documents.

The Manufacturer is responsible only for the structural design of the Metal Building System it sells to the Builder. The Manufacturer or the Manufacturer's Engineer is not the Design Professional or Engineer of Record for the Construction Project. The Manufacturer is not responsible for the design of any components or materials not sold by it or their interface and connection with the Metal Building System unless such design responsibility is specifically required by the Order Documents. Therefore, it is highly recommended that the End Customer hire a Design Professional or Engineer of Record (EOR) who would be responsible for specifying the design criteria for the Metal Building System to be used by the Builder and Manufacturer including all the applicable design loads. The EOR is also typically responsible for the design of any components or materials not sold by it or their interface and connection with the Metal Building System. The EOR can also provide valuable inspection services to the End Customer to ensure that the project is constructed according to the Manufacturer's erection drawings.

While not recommended practice, if the End Customer does not retain a Design Professional or Engineer of Record, the Manufacturer may be asked to specify the design criteria to be used for the Metal Building System including all applicable design loads.

It is the responsibility of the Builder to interpret all aspects of the End Customer's specifications and incorporate the appropriate specifications, design criteria, and design loads into the Order Documents submitted to the Manufacturer.

When specified by the Order Documents, the manufacturer is responsible for supplying adequate evidence of compliance with the specifications, design criteria, and design loads, and other specified information necessary for the Builder or Design Professional to incorporate the Metal Building System into the Construction Project.

In the event of discrepancy between the plans and specifications for the Metal Building System, the plans govern. In the event of discrepancy between scaled dimensions and numerical dimensions on the plans, included as part of the Order Documents, the numerical dimensions govern.

End Customer Responsibility

The End Customer is responsible for identifying all applicable building codes, zoning codes, or other regulations applicable to the Construction Project including the Metal Building System.

It is the responsibility of the End Customer to prepare complete specifications including the applicable design criteria, codes, standards, and regulations, and all the design loads or other requirements which affect the design or erection of the Metal Building System. The following information must be supplied to the Builder by the End Customer or the Design Professional. This information must, in turn, be supplied to the Manufacturer by the Builder.

1. The building geometric requirements such as length, width, height, roof slope and eave, and clearance requirements, both vertical and horizontal.
2. The applicable code or standard that describes the application of design loads to the Metal Building Systems.
3. The applicable design loads including, Live, Snow, Wind, Seismic, Collateral and Auxiliary loads, including information concerning Colateral and Auxiliary loads required by the Manufacturer to enter the order. Unless design loads or conditions are specifically set out in the Order Documents, the Manufacturer assumes that no such loads or conditions exist.
4. All coefficients or factors (for example, Exposure, Importance, Building Use, etc.) necessary to adjust general or commonly used values in the specified design standard or code for the local site conditions and specified conditions of use.
5. Site and construction that affect design criteria such as conditions causing snow drifting, including location of adjacent structures.
6. Open wall conditions.
7. All information necessary to ensure that the Metal Building System can be designed to comply with the specified code or standard and is compatible with other materials used on the Construction Project.
8. All serviceability criteria limiting vertical or horizontal deflection of components or gross building drift that are necessary to ensure that the stiffness of the Metal Building System is suitable for its specific conditions of use and compatible with materials not included in the Metal Building System.
9. In the design of the Metal Building System, the owner is responsible for providing clearances and adjustments of material furnished by other trades to accommodate all of the tolerances of the Metal Building Systems.

Foundation Design

The Manufacturer is not responsible for the design, materials and workmanship of the foundation. Anchor bolt plans prepared by the Manufacturer are intended to show only location, diameter and spacing of anchor bolts relative to the Metal Building System to the foundation. The Manufacturer is responsible for providing to the Builder the loads imposed by the Metal Building System on the foundation. It is the responsibility of the End Customer to ensure the adequate provisions are made for specifying bolt embedment, bearing angles, the rods, and/or other associated items embedded in the concrete foundation, as well as foundation design for the loads imposed on the foundation. The Manufacturer is not responsible for the capacity of the soil and other conditions of the building site. This is typically the responsibility of the Design Professional or Engineer of Record, which is another reason that their involvement in the Construction Project from the outset is highly recommended.

Ventilation, Condensation and Energy Conservation

The Manufacturer does not design or specify ventilation or energy conservation components. The End Customer is responsible for the design and construction of these components. The End Customer assumes that adequate provisions are made for ventilation, condensation, and energy conservation requirements.

INDACO METALS

STEEL TRUSS

3 AMERICAN WAY SHAWNEE, OKLA. 74804

PHONE (405) 273-9200 FAX (405) 273-9206

PURCHASER: Indaco 50 Truss Express

PROJECT: 50 Truss Express

BUILDING LOADS / DESCRIPTION:

WIDTH: 50 LENGTH: VARIES HEIGHT: VARIES
(BUILDING DIMENSIONS ARE NOMINAL. REFER TO PLANS).

ROOF PANELS:

COLOR: _____

WALL PANELS:

COLOR: _____

TRIM COLORS:

GABLE: _____

CORNER: _____

EAVE: _____

FRAMED OPENINGS: _____

Exposed Openings

The design of openings in accordance with the design loads specified by the Order Documents is the responsibility of the Manufacturer. Design of materials supplied by others to be installed in these openings is the responsibility of the End Customer. It is the responsibility of the End Customer to supply to the Builder's design loads and other requirements which affect the design of the Metal Building System and its compatibility with other materials. The Builder must incorporate these requirements into the Order Documents.

Effect on Existing Building

The Manufacturer does not investigate the influence of the Metal Building System on existing buildings or structures. The End Customer assures that such buildings and structures are adequate to resist snow drifts or other conditions as a result of the presence of the Metal Building System.

Inspection

The Manufacturer is not responsible for inspection of a Construction Project unless this is incorporated into the Order Documents. Typically, a Manufacturer is limited because of logistical constraints as well as not having the expertise in inspection services. Furthermore, a Manufacturer is not in the best position to inspect the work of the Builder who is the contractor. The Manufacturer and End Customer should utilize the inspection services of the Engineer of Record for the project to provide this important function.

Manufacturer's Responsibility

General
The Manufacturer is responsible for the design of the Metal Building System as defined by the Order Documents, and for providing erection drawings and approval drawings, as required by the Order Documents.

Engineering Data

The Manufacturer provides a letter of design certification, design calculations, or other engineering data specified in the Order Documents. The letter of design certification and design calculations are sealed by the Manufacturer's Engineer who is a Registered Professional Engineer in the jurisdiction where the Construction Project is located. Erection drawings are not required to be sealed. In any event, the supplying of sealed engineering data and drawings for the Metal Building System does not imply or constitute an agreement that the Manufacturer or Manufacturer's Engineer is acting as the Engineer of Record or Design Professional for a Construction Project.

The letter of design certification states the order number and lists the design criteria including design codes, standards, loads and other design information supplied to the Manufacturer as provided in Paragraph 3.2, and certifies that the structural design complies with the requirements of the Order Documents.

Design calculation includes the information contained in the letter of certification plus structural design data for the framing members and covering of the Metal Building System necessary to show compliance with the Order Documents. The structural design data includes magnitude and location of design loads and support conditions, material properties, and the type and size of major structural members.

Design calculations may be manually or computer generated at the discretion of the Manufacturer, and is in accordance with the Manufacturer's usual procedures and standards unless otherwise specified by the Order Documents.

Approval Documents

When required by Order Documents, approval documents including plans, design calculations, and erection drawings, shall be provided by the Manufacturer to the Builder for approval. In order for the Manufacturer to proceed with preparation of fabrication drawings and the manufacture of the Metal Building System, the Builder returns one set of approval documents to Manufacturer with a notation of outright approval or approval subject to the Builder's requested changes or corrections.

Approval by the Builder without any changes or corrections affirms that the Manufacturer has properly interpreted the Builder's requirements as set forth in the Order Documents.
If there are differences between the approval documents as prepared by the Manufacturer and the Order Documents, the approval documents take precedence.

If the Builder returns the approval documents with requested changes, additions or corrections, the documents shall be considered as a request to modify the Order Documents and must be agreed to by the Manufacturer pursuant to the provisions of Paragraph 2.2. If the approval documents with requested changes, additions or corrections are not returned to the Manufacturer and approved pursuant to the provisions of Paragraph 2.2, the requested changes, additions or corrections are not binding on the Manufacturer.

The Builder may incorporate the Manufacturer's approval data into documents submitted for the approval of the Contractor, General Contractor, or End Customer. In this event, only the Builder's approval or the Builder's requested changes and corrections are applicable to the Order Documents.

Plans

When approval documents are not required, the Builder has approved the erection drawings and erection instructions. The Manufacturer provides fabrication drawings and provides the Builder with prints of the final anchor bolt plans, erection drawings and erection instructions.

Fabrication Drawings

Fabrication drawings are not furnished by the Manufacturer.

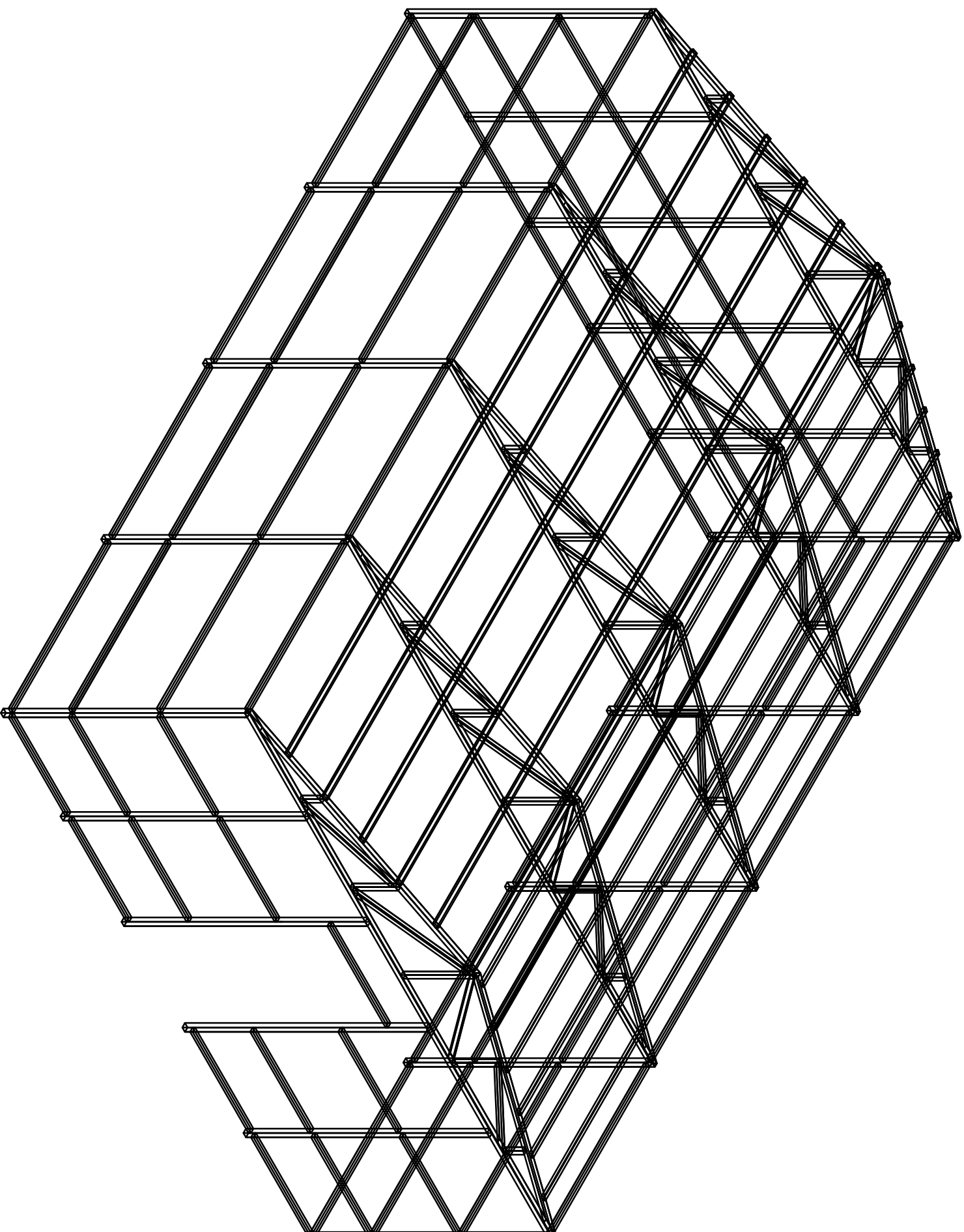
Quality Assurance

Manufacturers are responsible for assuring quality in the Metal Building System. A quality control program verified by an outside inspection agency, similar to the AISC-MB Certification program described in Section VI of this Manual, will satisfy this responsibility.

APPROVAL OF INDACO METALS DRAWINGS INDICATE THAT INDACO METALS CORRECTLY INTERPRETED AND APPLIED THE REQUIREMENTS OF THE CONTRACT DRAWINGS AND SPECIFICATIONS. WHERE DISCREPANCIES EXIST BETWEEN THE B & C STEEL PLANS AND THE PLANS FOR OTHER TRADES, THE STRUCTURAL STEEL PLANS SHALL GOVERN. (SECT. 4.2.1 AISC CODE OF STANDARD PRACTICE 9TH ED.) DESIGN CONSIDERATIONS OF ANY MATERIALS IN THE STRUCTURE WHICH ARE NOT FURNISHED BY INDACO METALS ARE THE RESPONSIBILITY OF THE CONTRACTORS AND ENGINEERS OTHER THAN INDACO METALS UNLESS SPECIFICALLY INDICATED.

Engineer's Seal

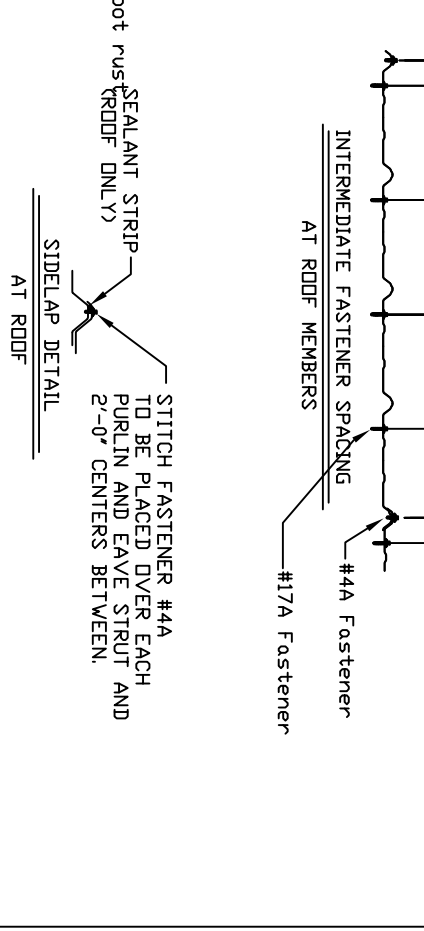
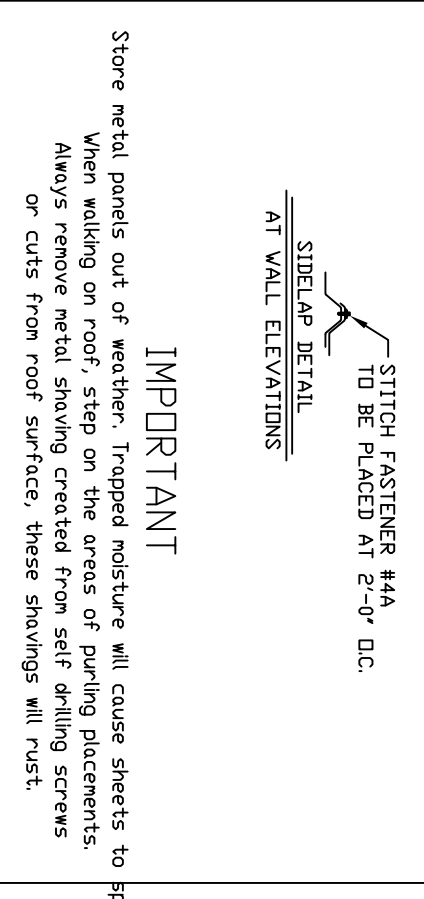
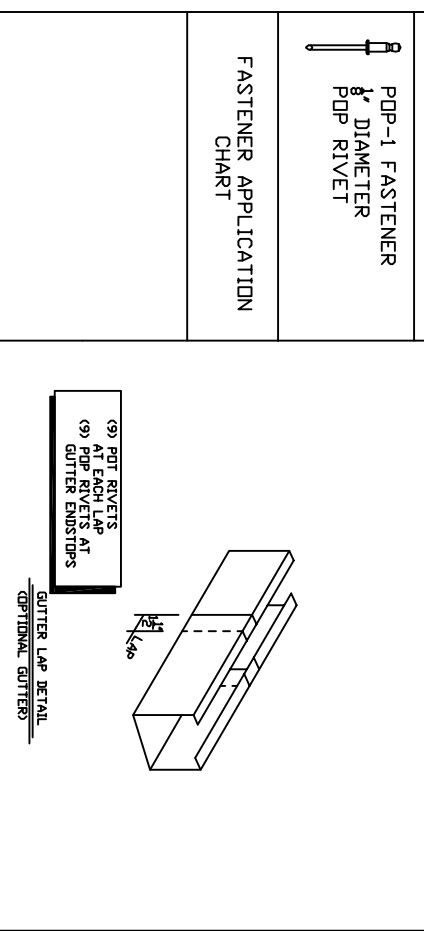
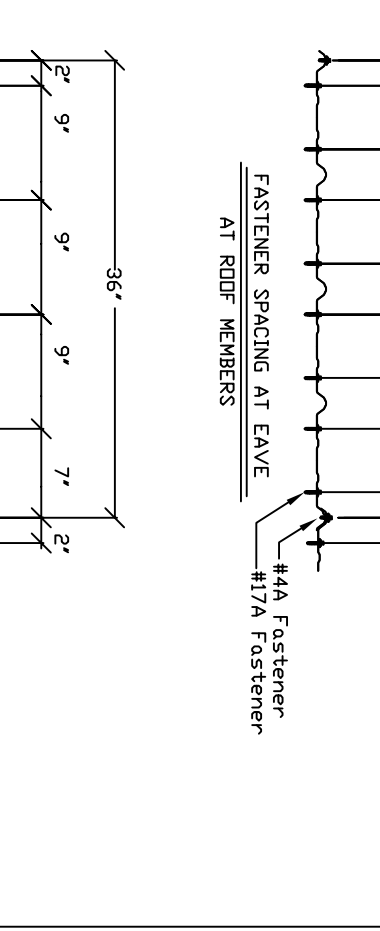
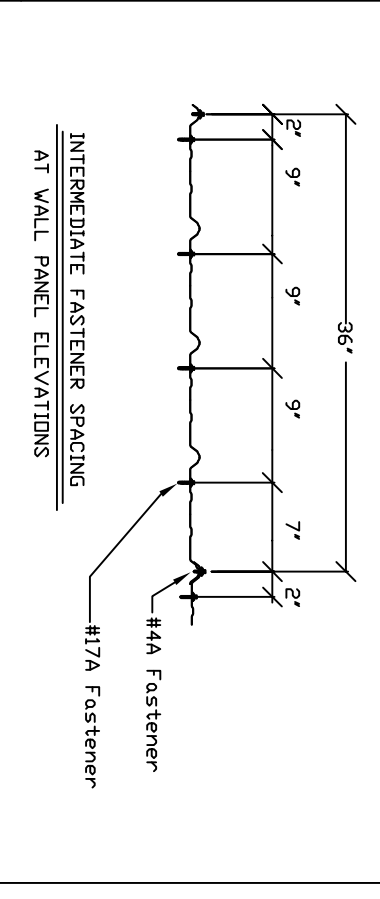
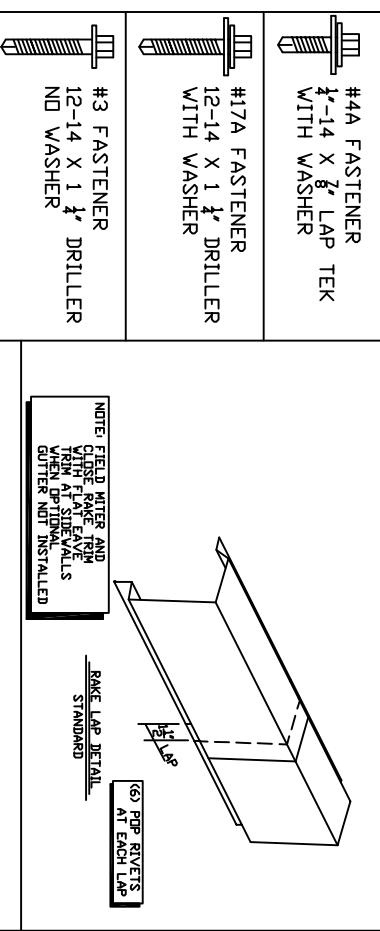
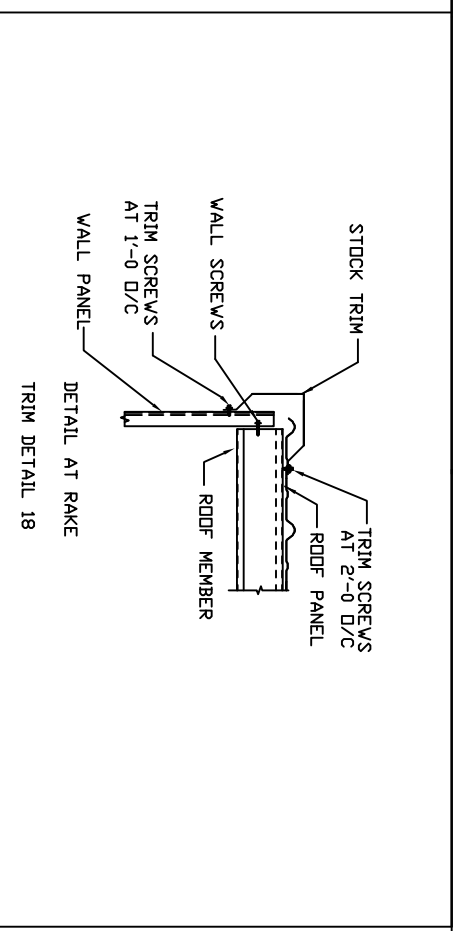
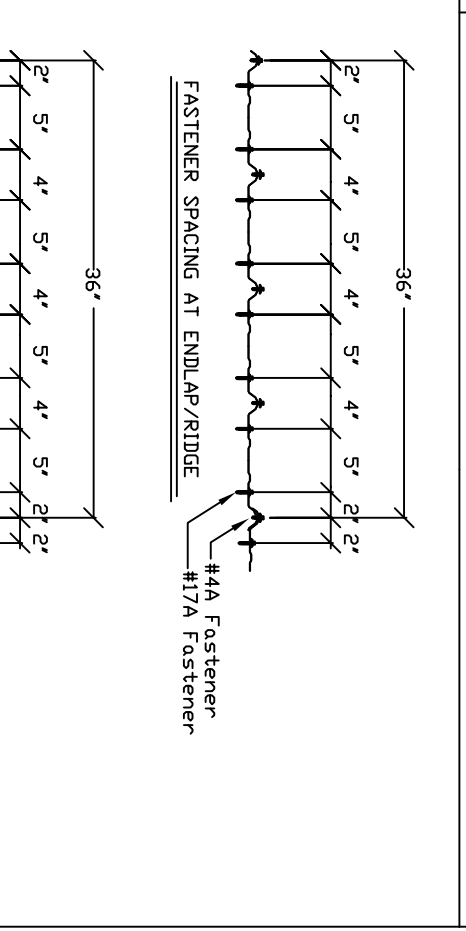
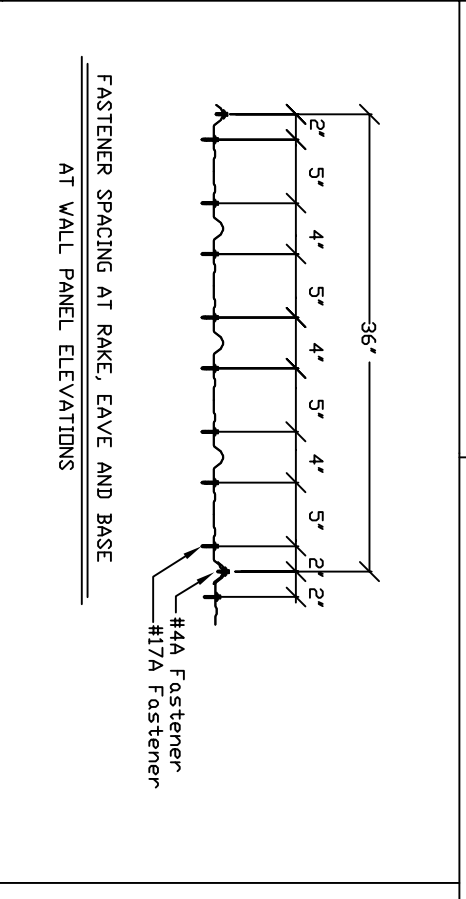
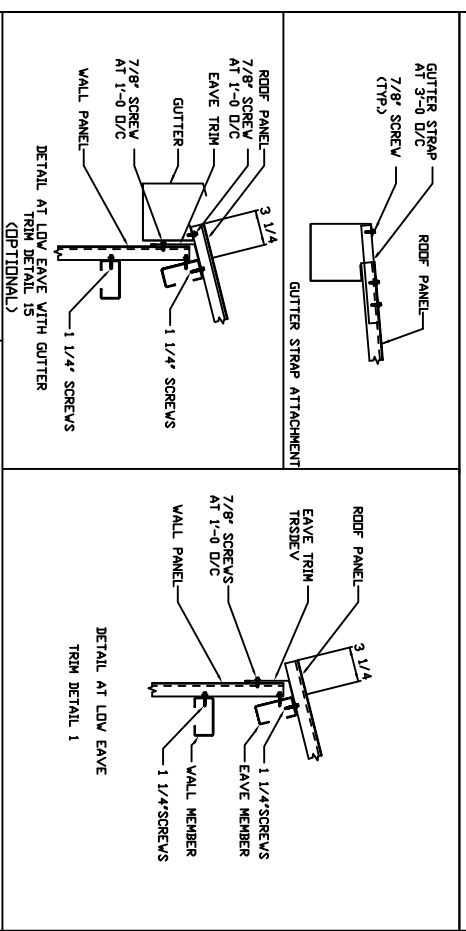
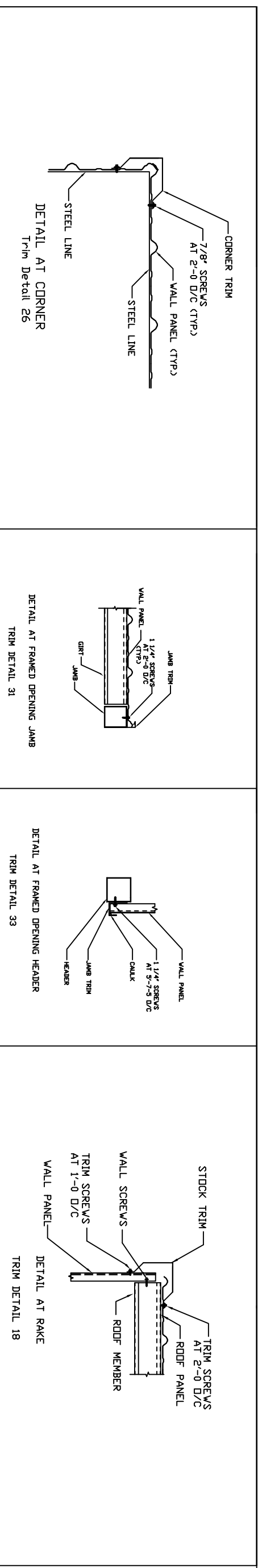
50 Truss Express



INDACO METALS

3 AMERICAN WAY SHAWNEE OK, 74804
PHONE: (405) 273-9200
FAX: (405) 273-9206

PROJECT:	50x Truss	DRAWING TAG:	3D FRAMING
CUSTOMER:	50x Truss	STRUCTURE SIZE:	50.00' x
LOCATION:	ADDRESS	DRN. BY:	mhm
CITY/STATE:	CITY, STATE	CHK'D BY:	8/30/12
		DATE:	8/30/12
		SCALE:	NONE
		JOB NO.:	50x
			3D DRAWING



- #44 FASTENER
1/4-14 X 7/8\"/>
- #17A FASTENER
12-14 X 1 1/4\"/>
- #3 FASTENER
12-14 X 1 1/4\"/>
- POP-1 FASTENER
1/2\"/>

FASTENER APPLICATION CHART

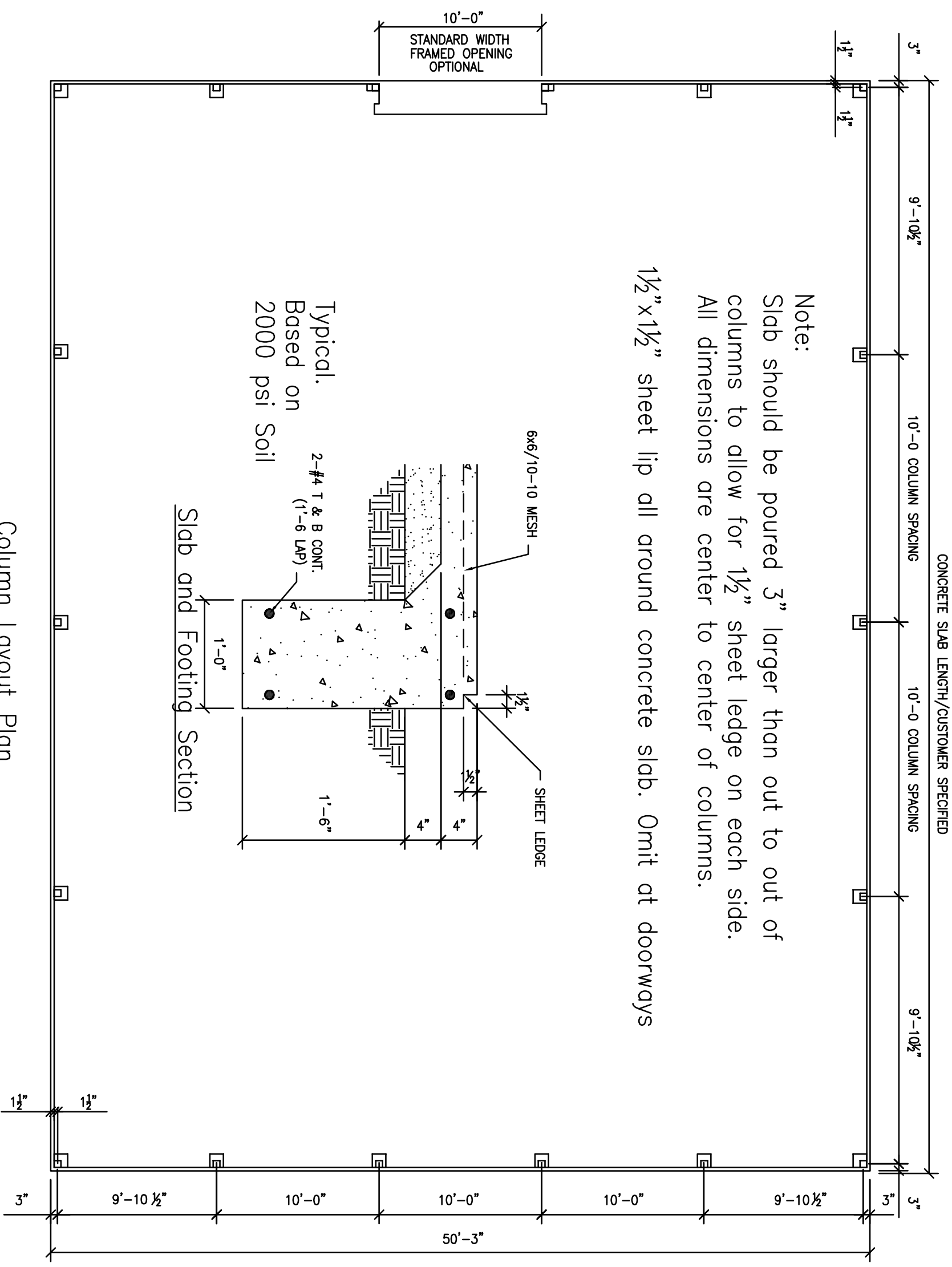
SAFETY PRECAUTIONS

Gloves should be worn to prevent injury while handling steel panels.
 Safety glasses should be worn to prevent eye injury when cutting or drilling steel panels with power tools.
 Use care when walking, sitting or kneeling on a steel roof to avoid fall. Steel panels may become slippery when wet. Do not work on the steel panels when wet or when climatic conditions are not suitable for safe installation.

Failure to comply with these procedures relieves the manufacturer of responsibility for any resultant damage to or deterioration of the product and **VOIDS ALL WARRANTIES. THERE IS NO IMPLIED WARRANTY OF MERCHANTABILITY OR FITNESS FOR PURPOSE.**

INDACO METALS
 3 AMERICAN WAY SHAWNEE OK, 74804
 PHONE: (405) 273-9200
 FAX: (405) 273-9206

PROJECT:	50x Truss	DRAWING TAG:	
CUSTOMER:	50x Truss	STRUCTURE SIZE:	50.0' X
ADDRESS:		DATE:	9/30/12
CITY/STATE:		SCALE:	NONE
		ISSUE NO.:	50x Truss
		SHEET NO.:	1 of 8

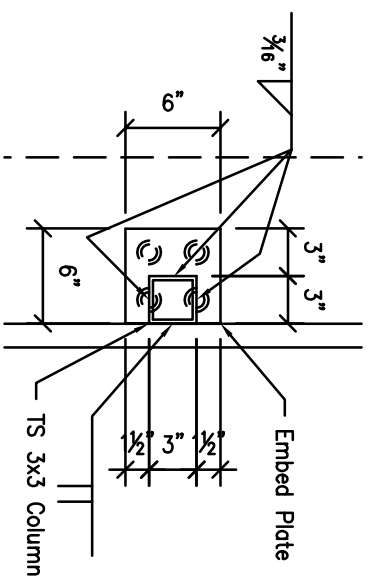


Note:
 Slab should be poured 3" larger than out to out of columns to allow for 1 1/2" sheet ledge on each side.
 All dimensions are center to center of columns.
 1 1/2" x 1 1/2" sheet lip all around concrete slab. Omit at doorways

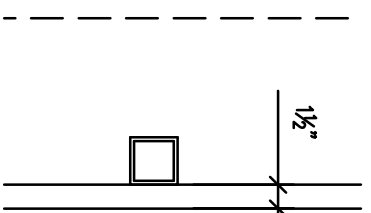
Column Layout Plan

INDACO METALS
 3 AMERICAN WAY SHAWNEE OK, 74804
 PHONE: (405) 273-9200
 FAX: (405) 273-9206

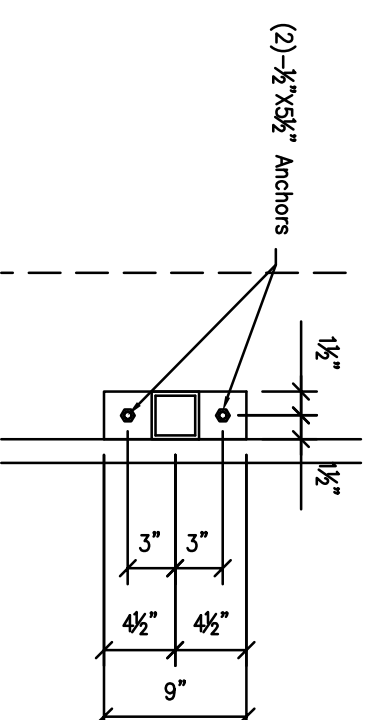
PROJECT:	50x Truss	DRAWING TAG:	SLAB DETAILS
CUSTOMER:	50x Truss	STRUCTURE SIZE:	50.00' x
LOCATION:	ADDRESS	DRN. BY:	mbm
CITY/STATE:	CITY, STATE	CHK'D BY:	
		DATE:	8/30/12
		SCALE:	NONE
		JOB NO.:	50X
		SHEET NO.:	2 of 8



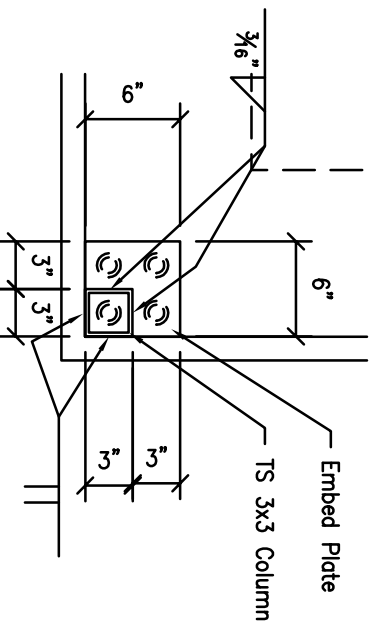
Embed Base Plan @ Sides



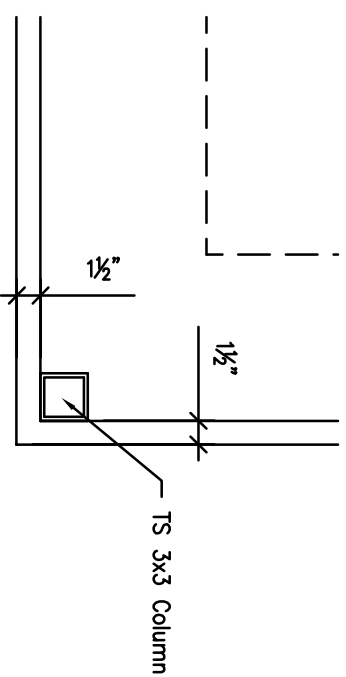
Column Embed Plan @ Side



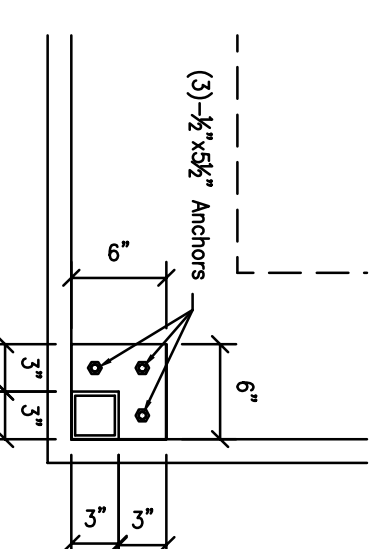
Bolted Base Plan @ Side



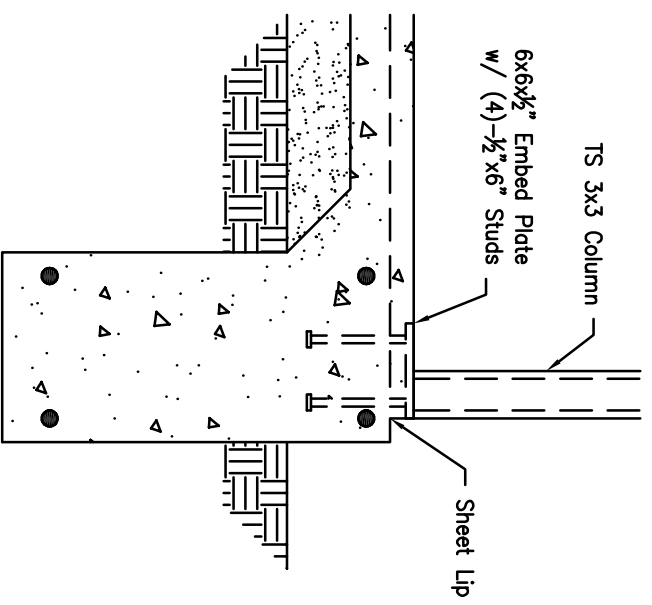
Embed Base Plan @ Corner



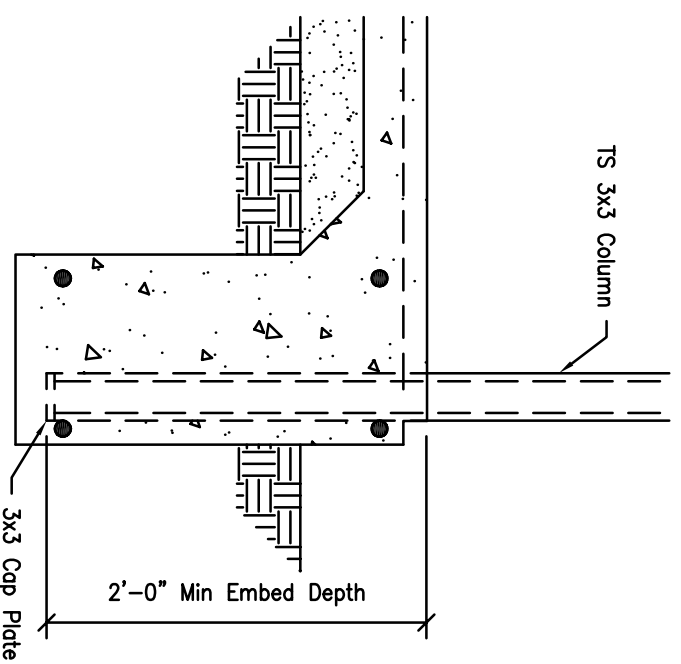
Column Embed Plan @ Corner



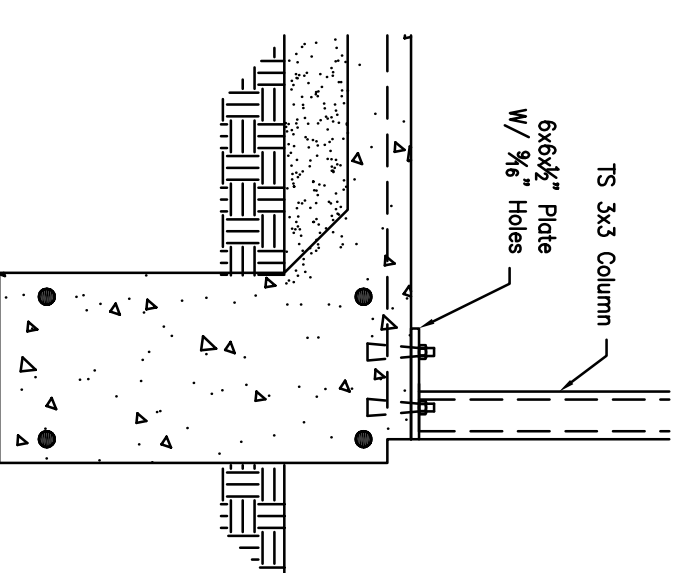
Bolted Base Plan @ Corner



Embed Base Section



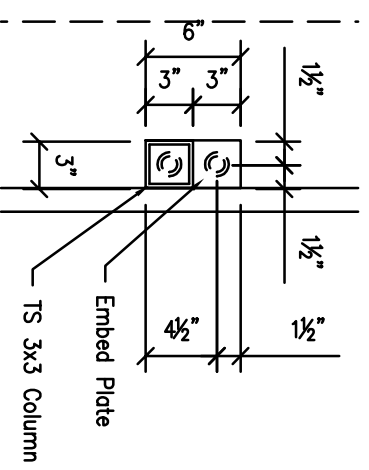
Column Embed Section



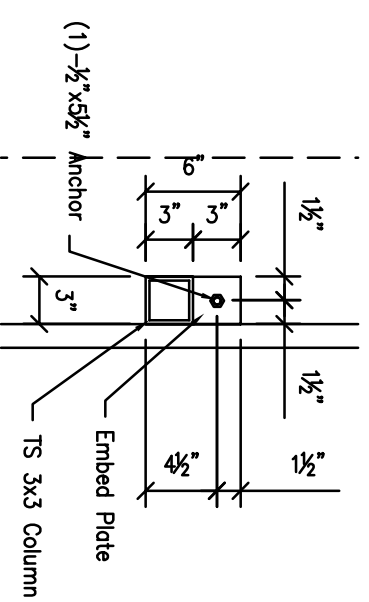
Bolted Base Section

INDACO METALS
 3 AMERICAN WAY SHAWNEE OK, 74804
 PHONE: (405) 273-9200
 FAX: (405) 273-9206

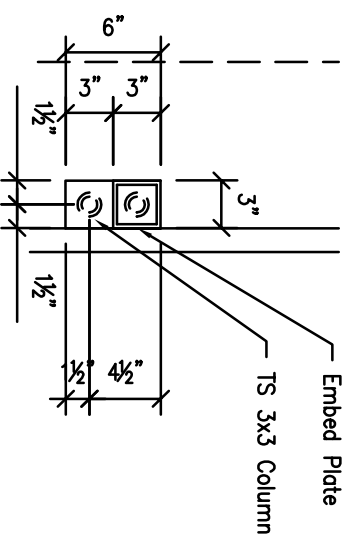
PROJECT:	50x Truss	DRAWING TAG:	BASE DETAIL
CUSTOMER:	50x Truss	STRUCTURE SIZE:	50.00' x
LOCATION:	ADDRESS	DRN. BY:	mhm
CITY/STATE:	CITY, STATE	DATE:	8/30/12
		DATE:	8/30/12
		SCALE:	NONE
		JOB NO.	50X
		SHEET NO.	3 of 8



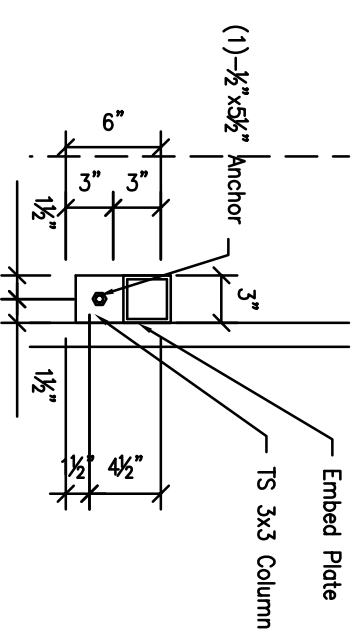
Embed Base Plan @ Right Door Jamb



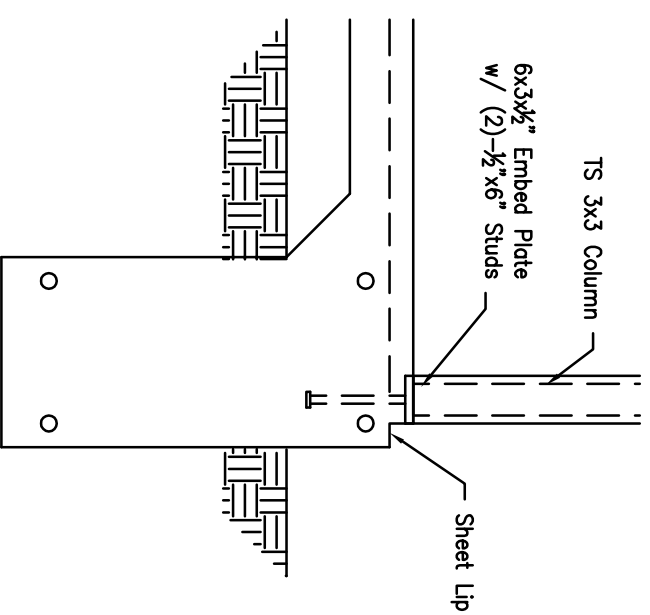
Embed Base Plan @ Right Door Jamb



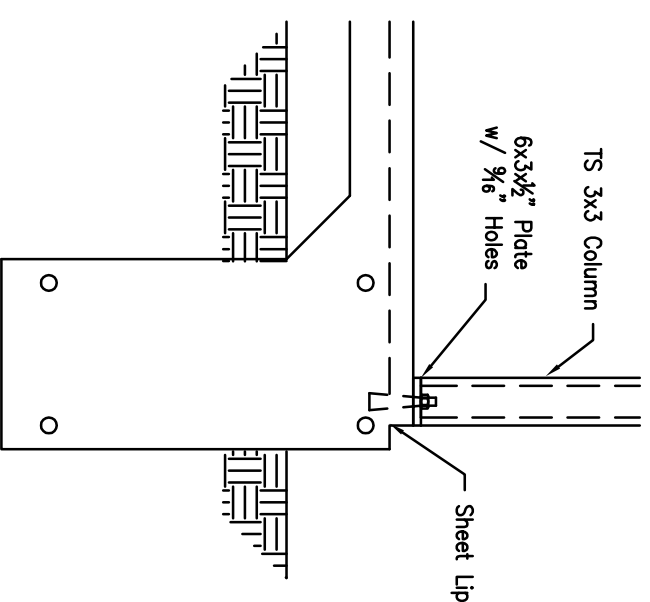
Embed Base Plan @ Left Door Jamb



Embed Base Plan @ Left Door Jamb



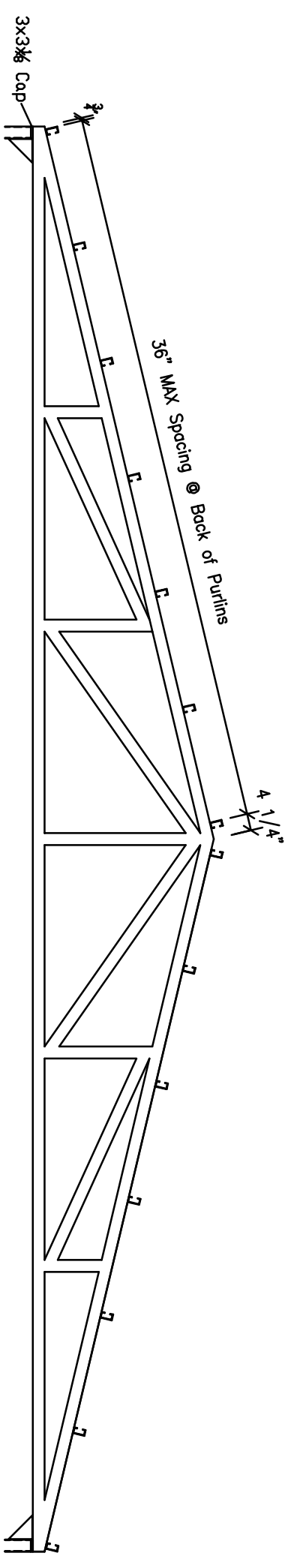
Embed Base Section



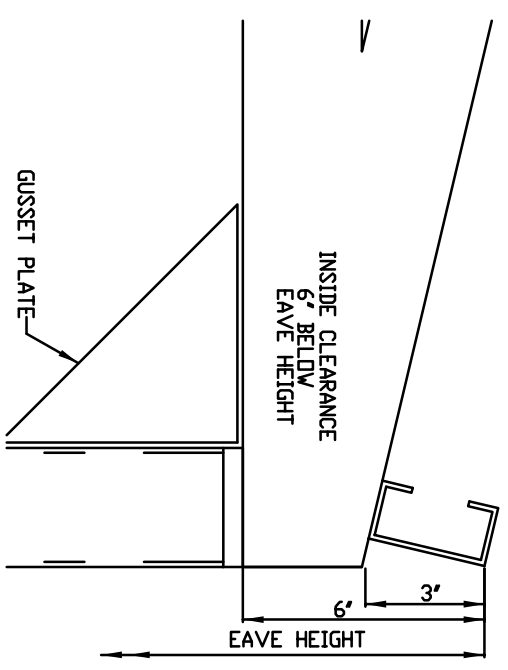
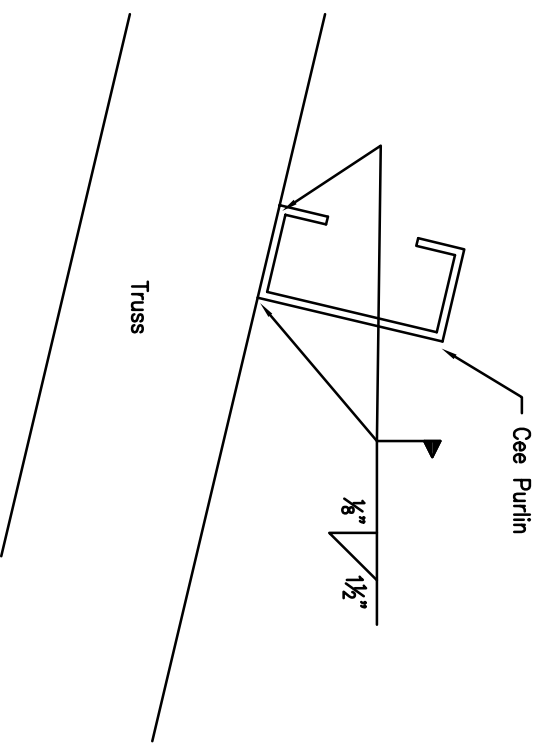
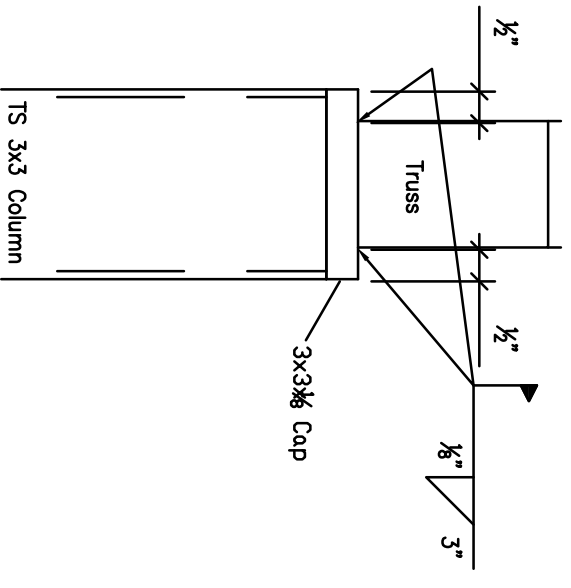
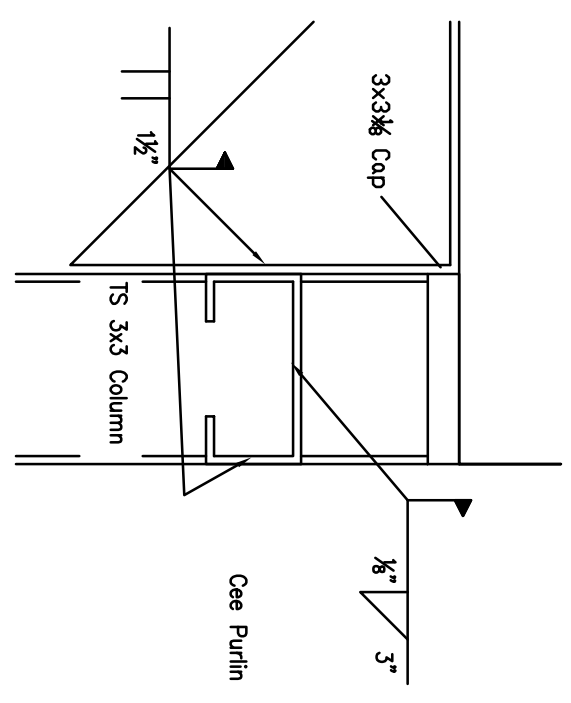
Bolted Base Section

INDACO METALS
 3 AMERICAN WAY SHAWNEE OK, 74804
 PHONE: (405) 273-9200
 FAX: (405) 273-9206

PROJECT:	50x Truss	DRAWING TAG:	BASE DETAIL
CUSTOMER:	50x Truss	STRUCTURE SIZE:	50.00' x
LOCATION:	ADDRESS	DRN. BY:	mbm
CITY/STATE:	CITY, STATE	CHK'D BY:	
		DATE:	8/30/12
		SCALE:	NONE
		JOB NO.:	50X
		SHEET NO.:	4 of 8

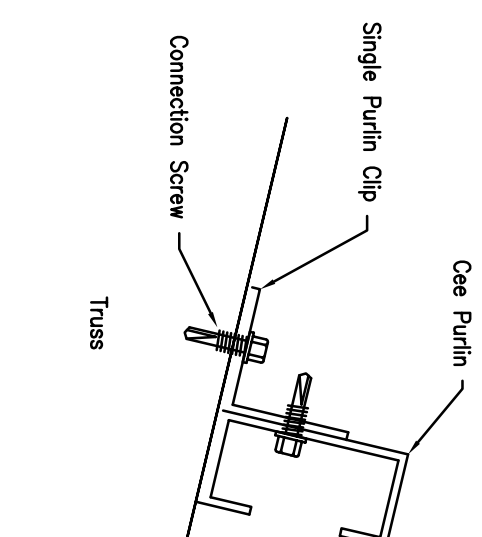
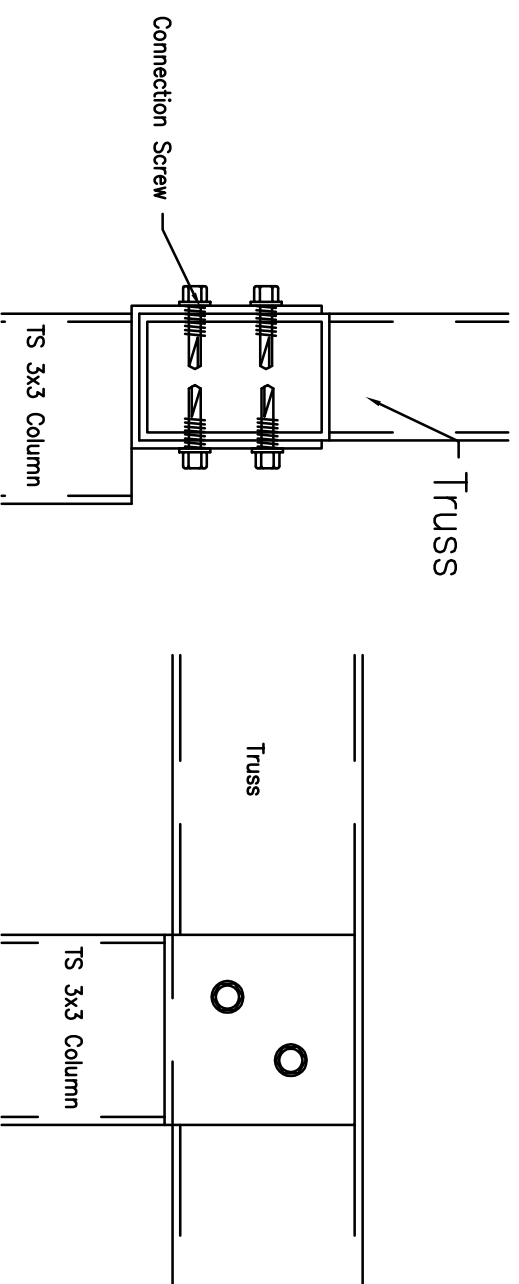
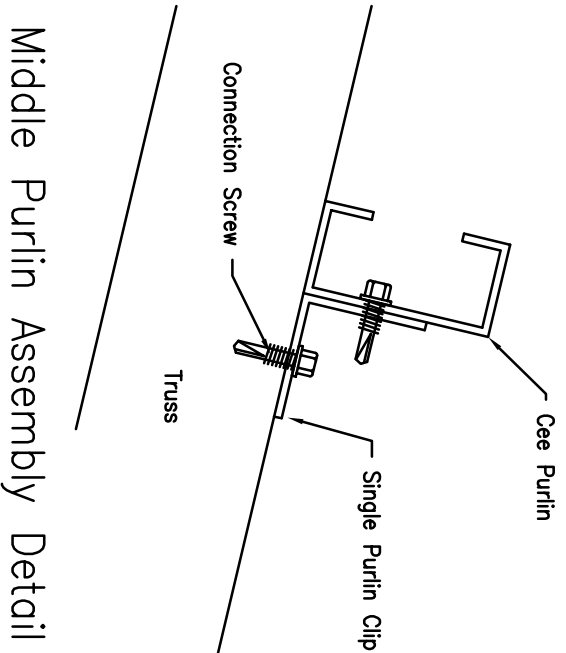
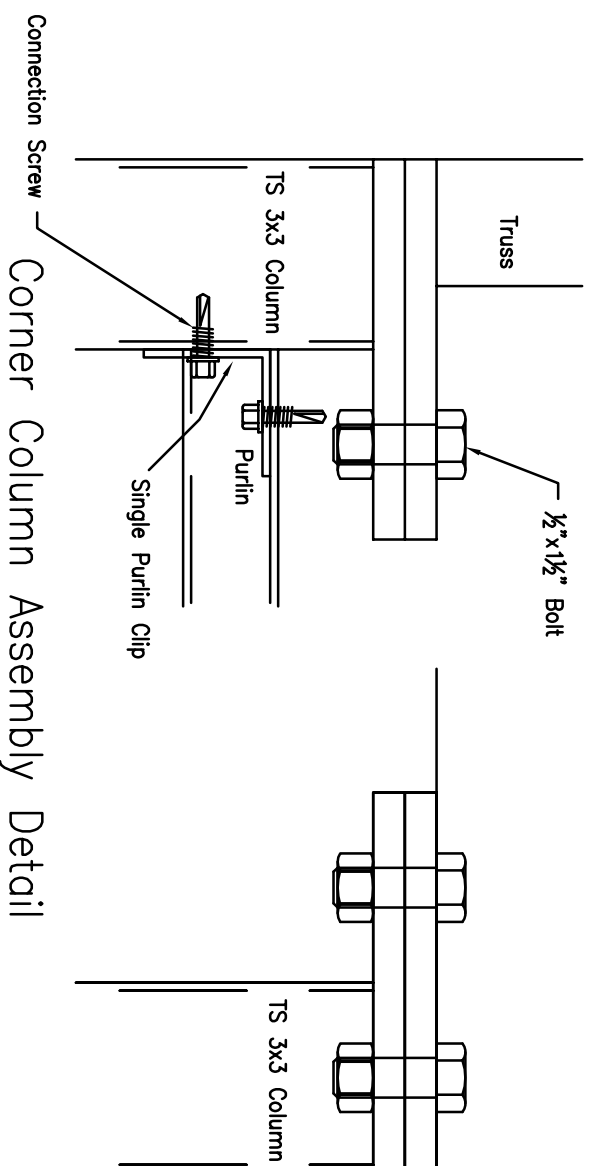
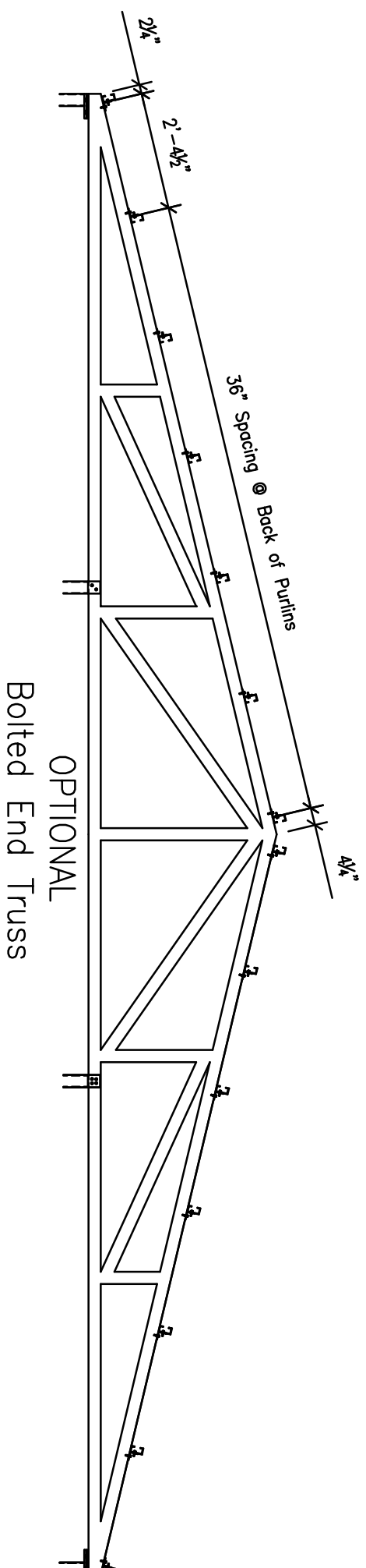


Standard Truss



INDACO METALS
 3 AMERICAN WAY SHAWNEE OK, 74804
 PHONE: (405) 273-9200
 FAX: (405) 273-9206

PROJECT:	50x Truss	DRAWING TAG:	FRAMING
CUSTOMER:	50x Truss	STRUCTURE SIZE:	50.00' x
LOCATION:	ADDRESS	DRN. BY:	mbm
CITY/STATE:	CITY, STATE	CHK'D BY:	
		DATE:	8/30/12
		SCALE:	NONE
		JOB NO.:	50X
		SHEET NO.:	5 of 8



Door Column Assembly Detail

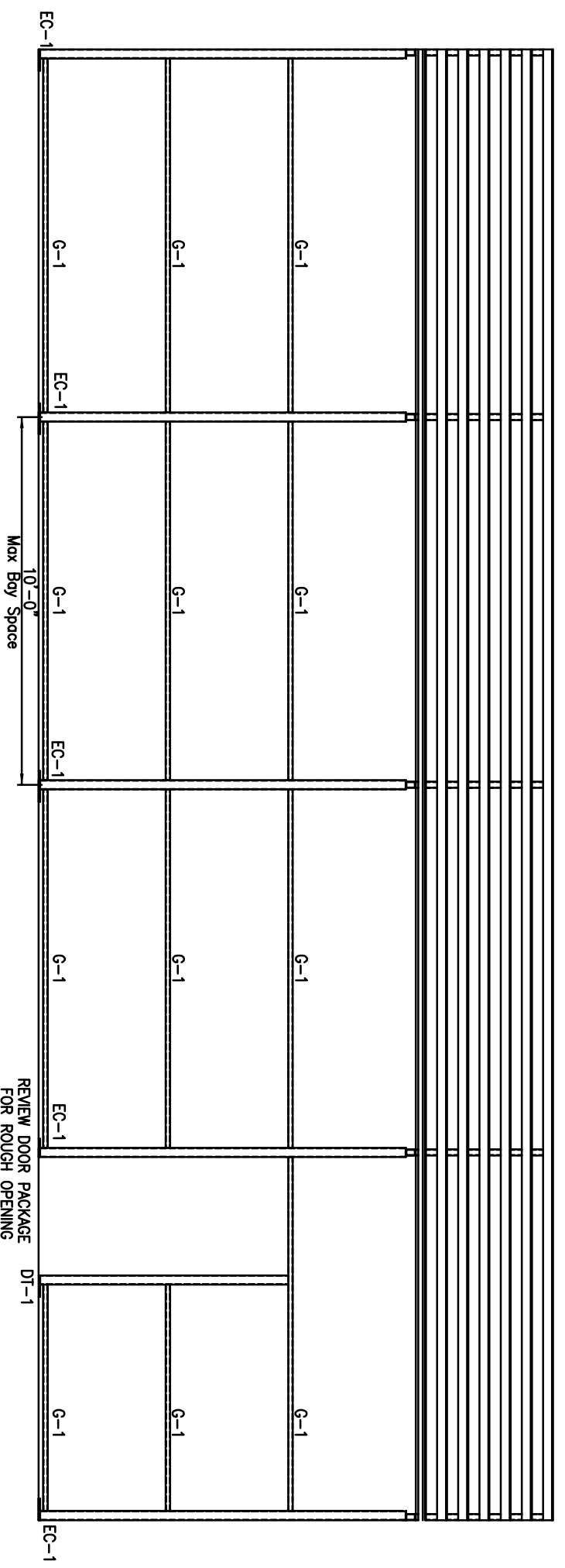
Middle Purlin Assembly Detail

End Purlin Assembly Detail

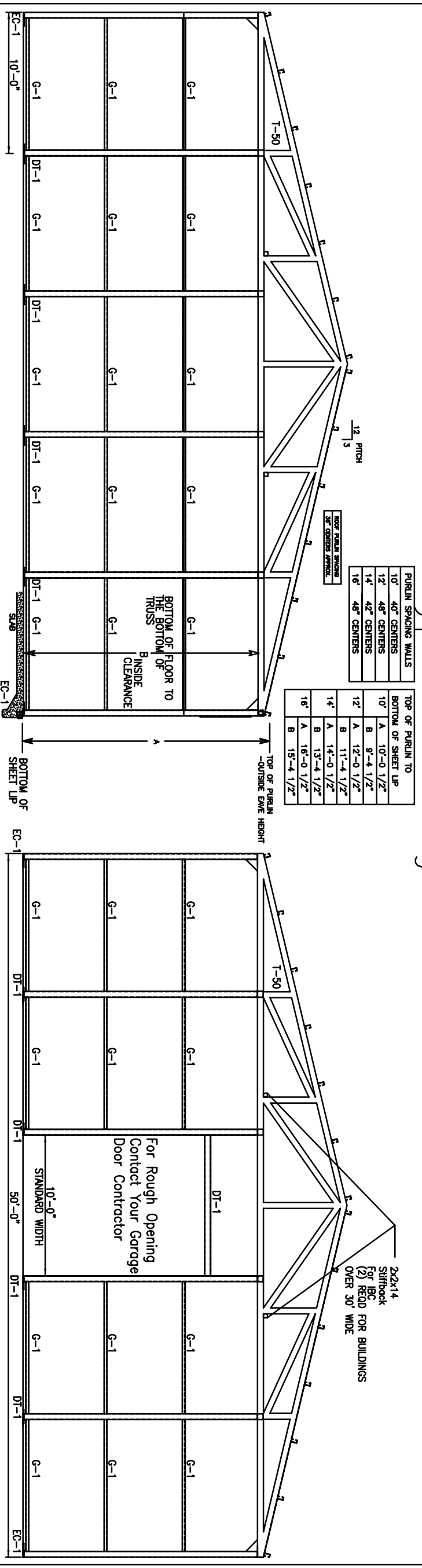
INDACO METALS
3 AMERICAN WAY SHAWNEE OK, 74804
PHONE: (405) 273-9200
FAX: (405) 273-9206

PROJECT:	50x Truss	DRAWING TAG:	FRAMING
CUSTOMER:	50x Truss	STRUCTURE SIZE:	50.00' x
LOCATION:	ADDRESS	DRN. BY:	DATE:
CITY/STATE:	CITY, STATE	mbm	8/30/12
		CK'D BY:	DATE:
			8/30/12
		SCALE:	NONE
		JOB NO.	50X
		SHEET NO.	6 of 8

MEMBER TABLE			LENGTH
FRAME LINE	PART	FIELD CUT TO LENGTH	FIELD CUT TO LENGTH
DT-1	3X3TUBE	FIELD CUT TO LENGTH	FIELD CUT TO LENGTH
G-1	3"CEE	FIELD CUT TO LENGTH	FIELD CUT TO LENGTH
EC-1	3X3TUBE	FIELD CUT TO LENGTH	FIELD CUT TO LENGTH
T-50	50' TRUSS	50'-0"	50'-0"



Typical Framing



PURLIN SPACING WALLS	
10'	40" CENTERS
12'	48" CENTERS
14'	42" CENTERS
16'	48" CENTERS

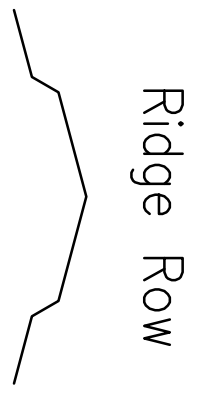
TOP OF PURLIN TO BOTTOM OF SHEET LP	
10'	A 10'-0 1/2"
12'	B 9'-4 1/2"
14'	A 12'-0 1/2"
16'	B 11'-4 1/2"
	A 14'-0 1/2"
	B 13'-4 1/2"
	A 16'-0 1/2"
	B 15'-4 1/2"

Typical Overhead Framing

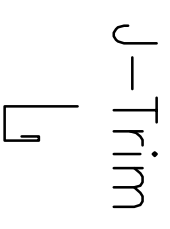
INDACO METALS
 3 AMERICAN WAY SHAWNEE OK, 74804
 PHONE: (405) 273-9200
 FAX: (405) 273-9206

PROJECT:	50x Truss	DRAWING TAG:	FRAMING
CUSTOMER:	50x Truss	STRUCTURE SIZE:	50.00' X
LOCATION:	ADDRESS	DRN. BY:	8/30/12
CITY/STATE:	CITY, STATE	CHK'D BY:	8/30/12
		SCALE:	NONE
		JOB NO.:	50X
		SHEET NO.:	7 of 8

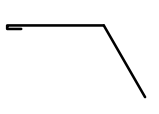
Trim Detail



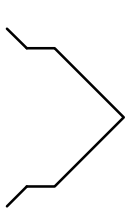
Ridge Row



J-Trim



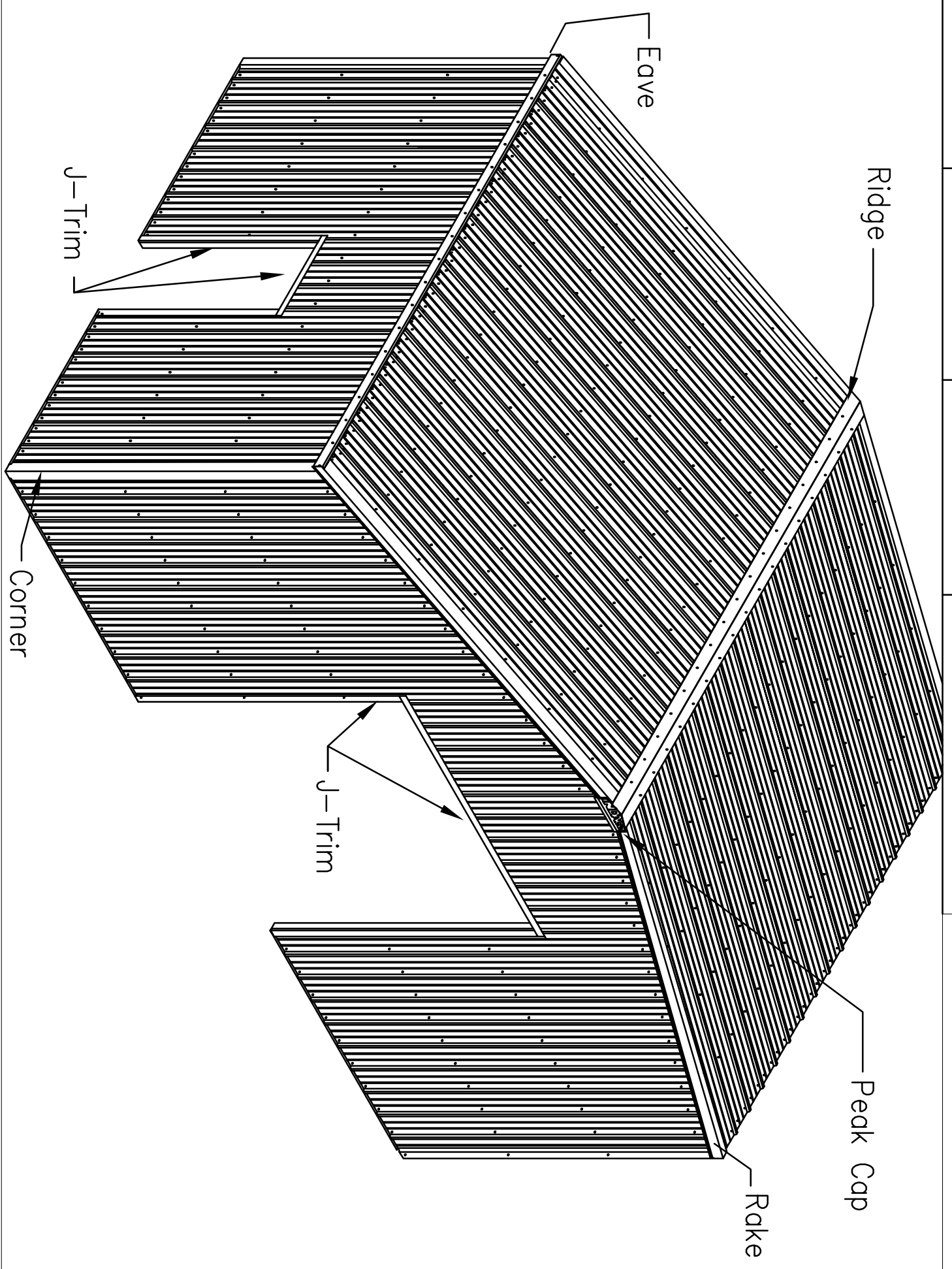
Eave Trim



Rake & Corner



Peak Cap



INDACO METALS
 3 AMERICAN WAY SHAWNEE OK, 74804
 PHONE: (405) 273-9200
 FAX: (405) 273-9206

PROJECT:	50x Truss	DRAWING TAG:	TRIM DETAIL
CUSTOMER:	50x Truss	STRUCTURE SIZE:	50.00' x
LOCATION:	ADDRESS	DRN. BY:	mbm
CITY/STATE:	CITY, STATE	CHK'D BY:	
		DATE:	8/30/12
		SCALE:	NONE
		JOB NO.	50x
		SHEET NO.	8
		of	8